

## FORCA PALLET

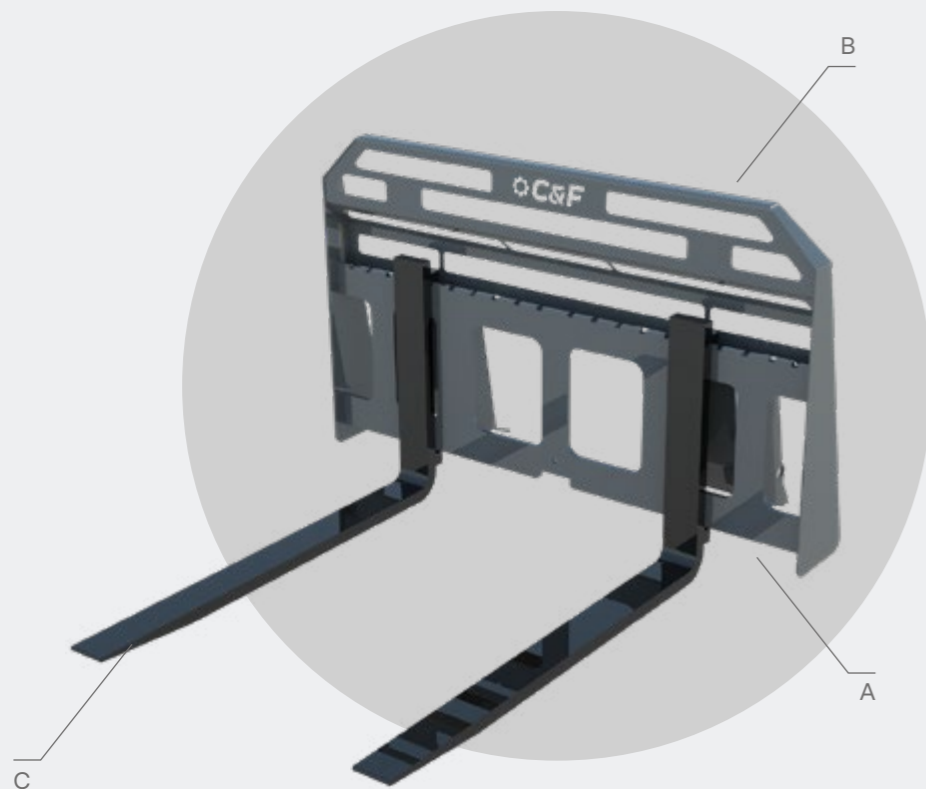
800—1800 kg

**IT** Le forche pallet C&F Benne sono munite di protezione antiribaltamento contro la perdita del carico in fase operativa. Possono essere montate su skid steer loader, pale, terne e sollevatori telescopici. La portata varia da 800 a 1800 kg.

## PALLET FORKS

1736—3768 lbs

**EN** Pallet forks with safety protection device which prevents the loads from falling during handling operations. They can be attached on skid steer loaders, wheel loaders, backhoes and telehandlers. Capacity from 1736 to 3768 lbs.



FORCA PALLET

CNF—CONSTRUCTION EQUIPMENT

**1**

Accessorio disponibile su: · Available for:



MODELLO · MODEL	PFS. 010.01	PFS. 015.01	PFS. 015.02	PFS. 015.03	PFS. 015.04	PFS. 020.01	PFS. 020.02	PFS. 035.01	PFS. 035.02
LARGHEZZA (mm)	900	1200	1400	1200	1400	1200	1200	1500	1500
WIDTH (inch)	35.8	47.2	55.1	47,2	55,1	47.2	47,2	59	59
LUNGHEZZA FORCHE (mm)	1000	1000	1000	1200	1000	1000	1200	1000	1200
FORK LENGHT (inch)	39.4	39.4	39.4	47,2	39,4	39.4	47,2	39.4	47.2
PESO (kg)	135	140	160	150	170	150	150	213	233
WEIGHT (lbs)	297	308	352	330	360	330	330	467	491
PORTATA (kg)	800	1000	1000	1000	1000	1800	1800	1800	1800
CAPACITY (lbs)	1763.7	2204.6	2204.6	2204,6	2204,6	3768	3768	3768	3768

### CARATTERISITCHE TECNICHE / TECHNICAL FEATURES



Telaio · Frame



Protezione · Protection



Forca · Fork

**FOCUS**

CNF—CONSTRUCTION EQUIPMENT

PALLET FORKS